

# HRC CONTROL PANEL



# HIRICI



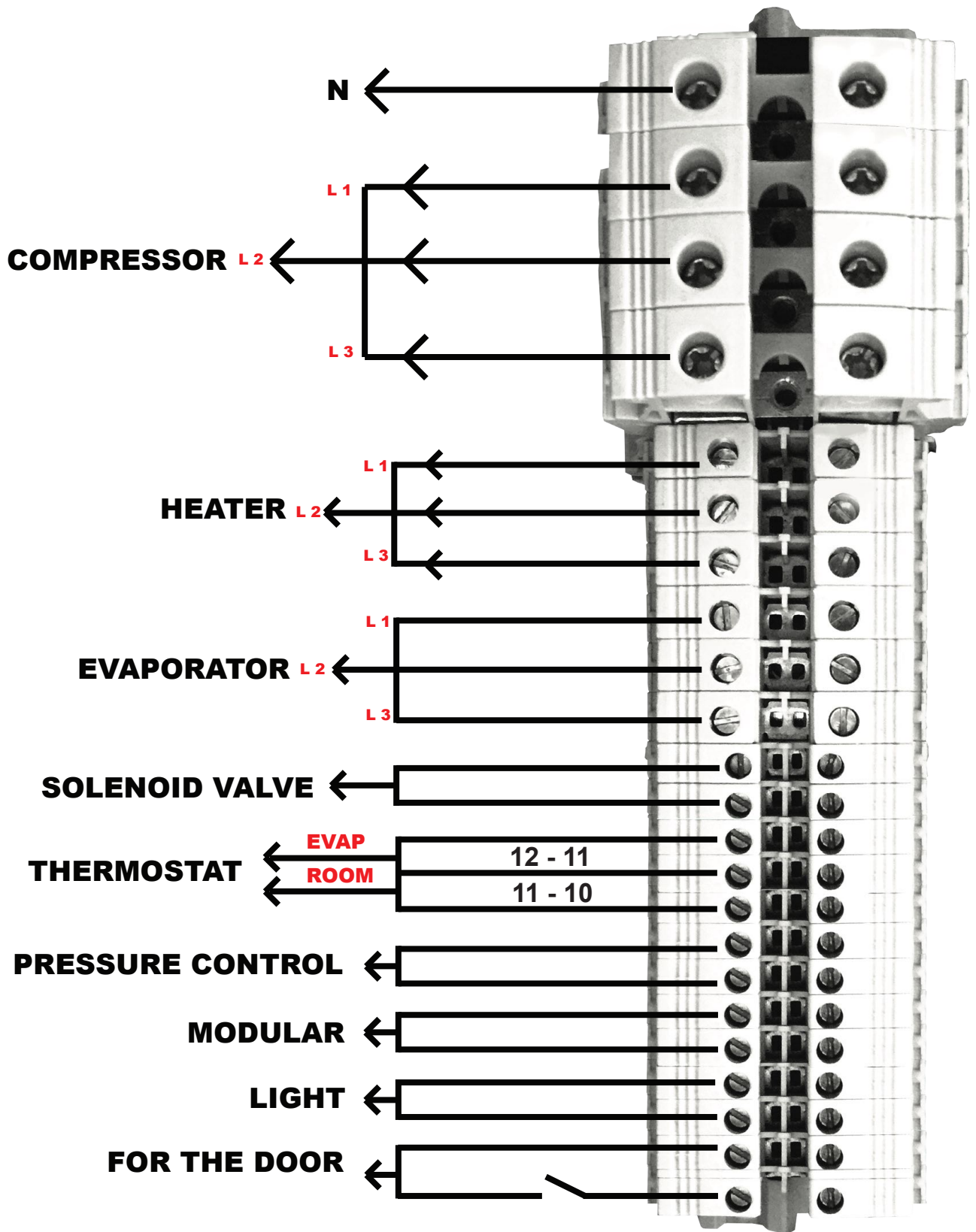
**HRCCOMPANY**



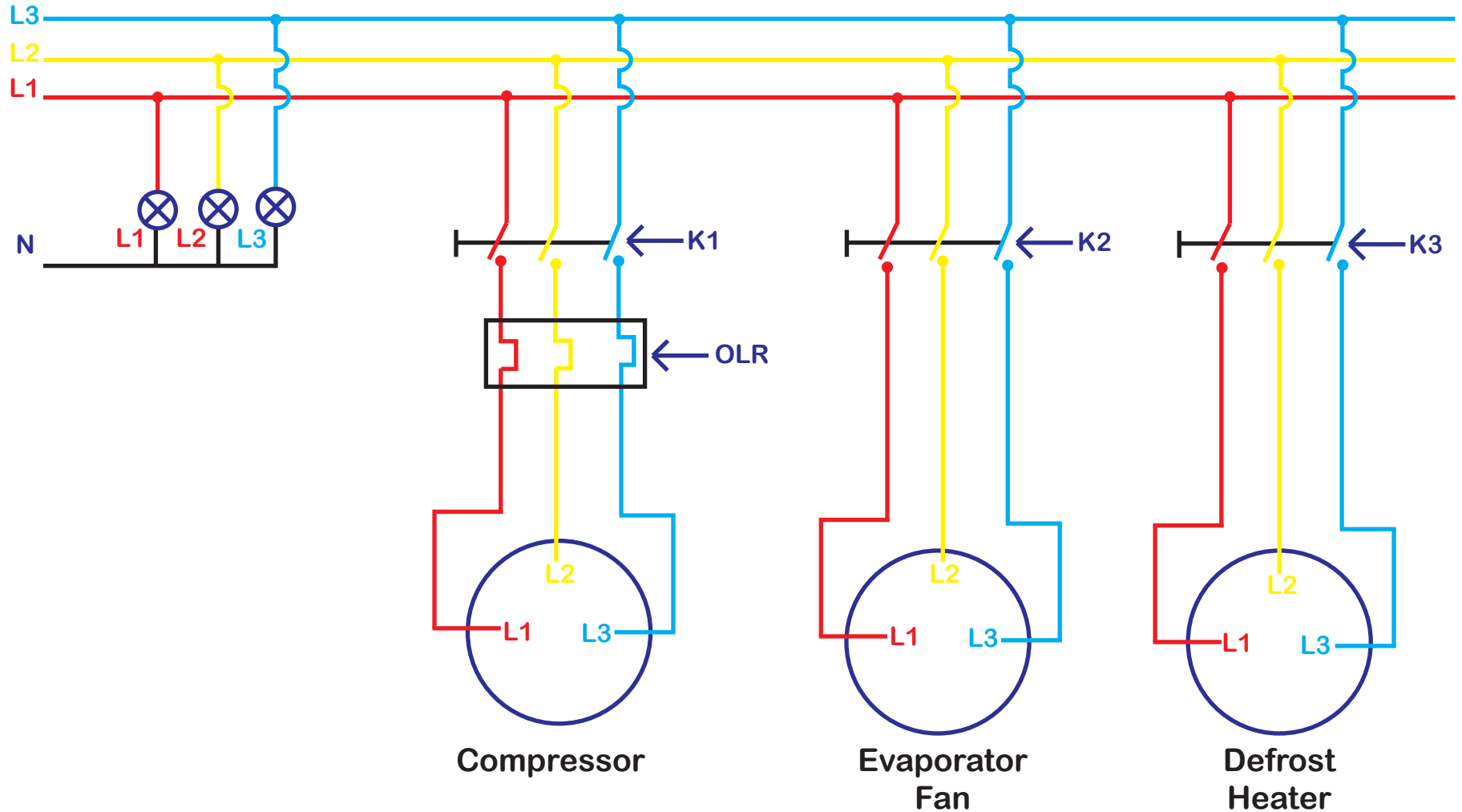
- PHASE FAILURE ADDED -
- ABILITY TO CONNECT TO X-WEB -
- DIXEL CONTROLLER -



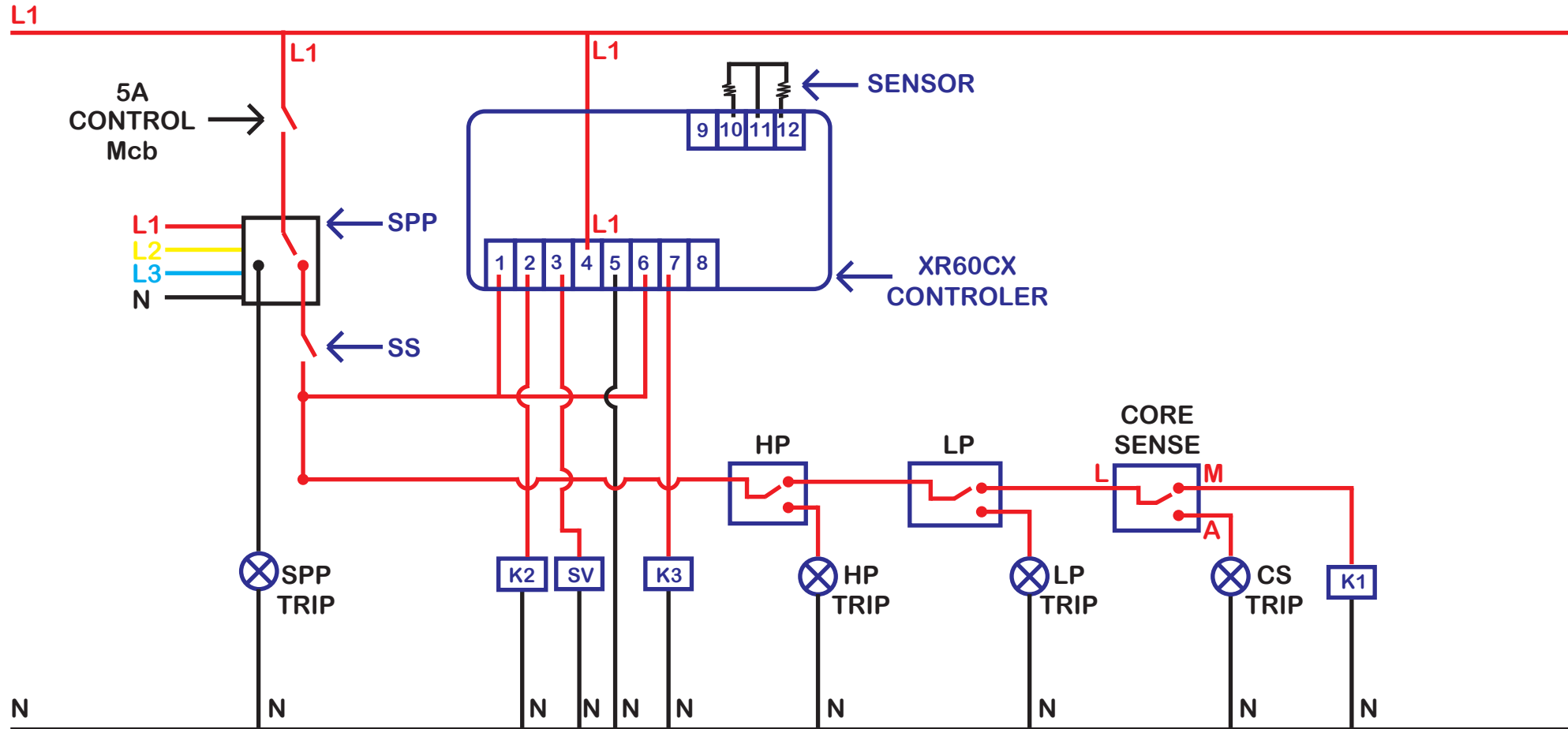
HIRICI



# POWER WIRING



# CONTROL



K1 - COMPRESSOR CONTACTOR  
 K2 - INDOOR FAN CONTACTOR  
 SS - SELECTOR SWITCH

K3 - DEFROST CONTACTOR  
 SV - LIQUID LINE SOLENOID VALVE  
 SPP - PHASE FAILURE DEVICE